

DLX T-Handle

Step 1 - Insert DLX T-Handle into the Upright Base then tighten to desired tension while keeping the indents on the underside of the Lower Wing aligned with the Fuel Pack bumps (see **Figures 12-14**).

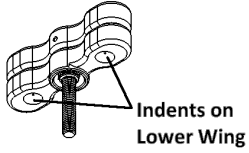


Figure 12

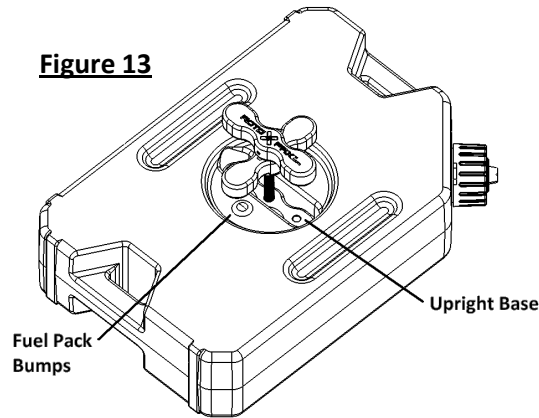
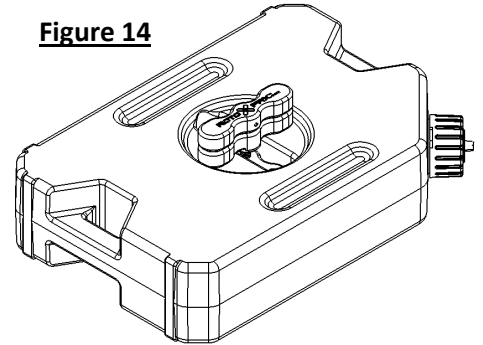


Figure 14



Step 2 - Mount another Fuel Pack onto the extension handle (see **Figure 24**).

Step 3 - Tighten T-Handle or other handles (LOX or DLX) to desired tension (see **Figure 25**).

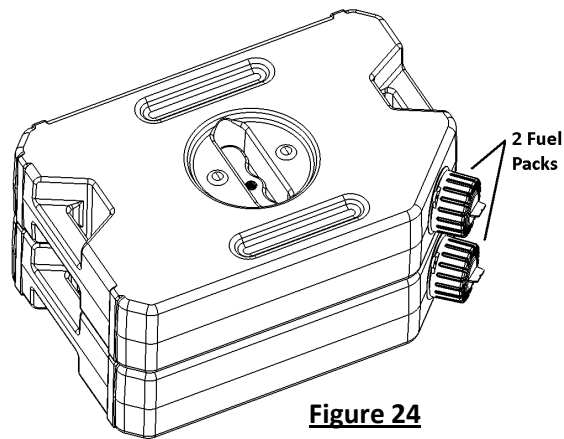


Figure 24

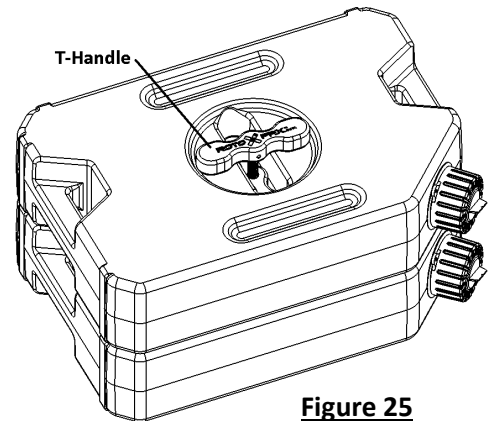


Figure 25